

PART NUMBER CODING

E DHHN-T9 1

MATERIAL (INSULATOR / CONTACT)

N= NYLON 9T / PHOSPHOR BRONZE
G= NYLON 9T / PHOSPHOR BRONZE
(*N' & 'G' ARE EQUIVALENT)

PLATING

(ALL PLATINGS ARE LEAD FREE AND HAVE 50µ" NICKEL UNDERPLATE)
CONTACT SURFACE TERMINATION
W = GOLD FLASH .000100" PURE TIN, MATTE
B = .000010" GOLD .000100" PURE TIN, MATTE
C = .000030" GOLD .000100" PURE TIN, MATTE

POSITIONS

18
32
49
82

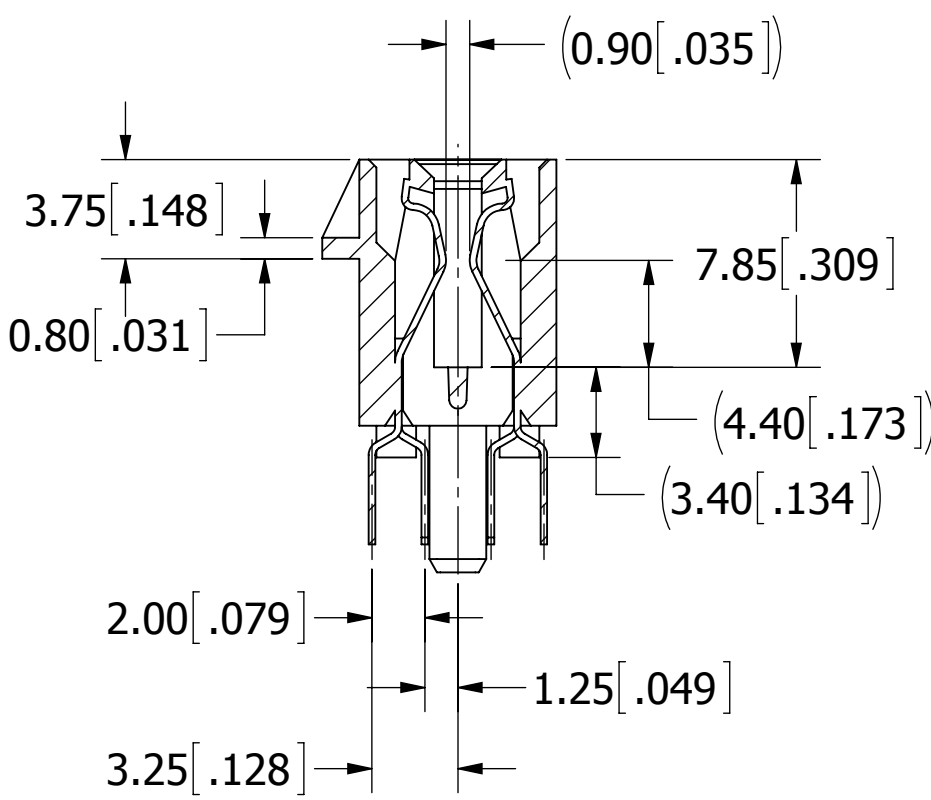
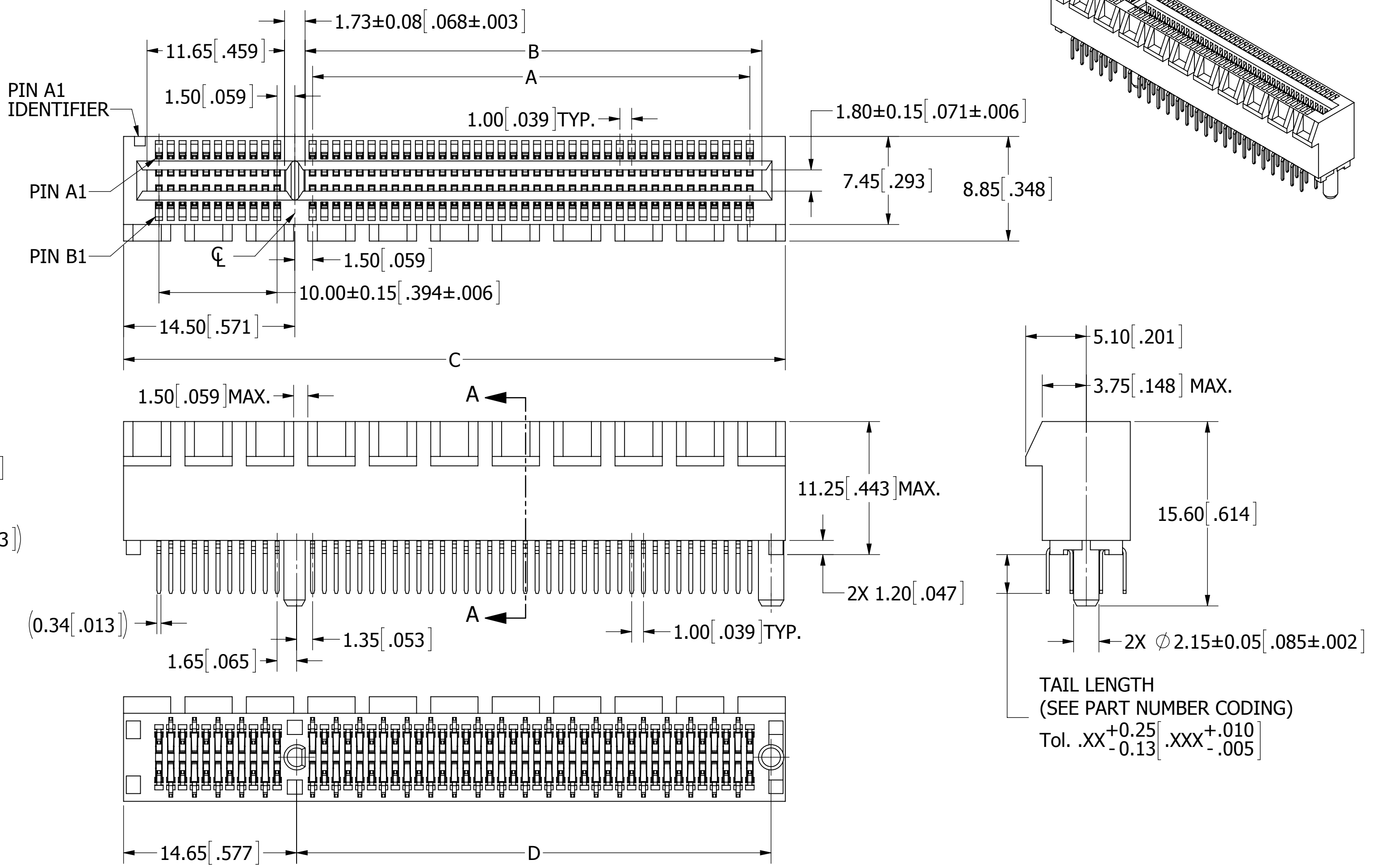
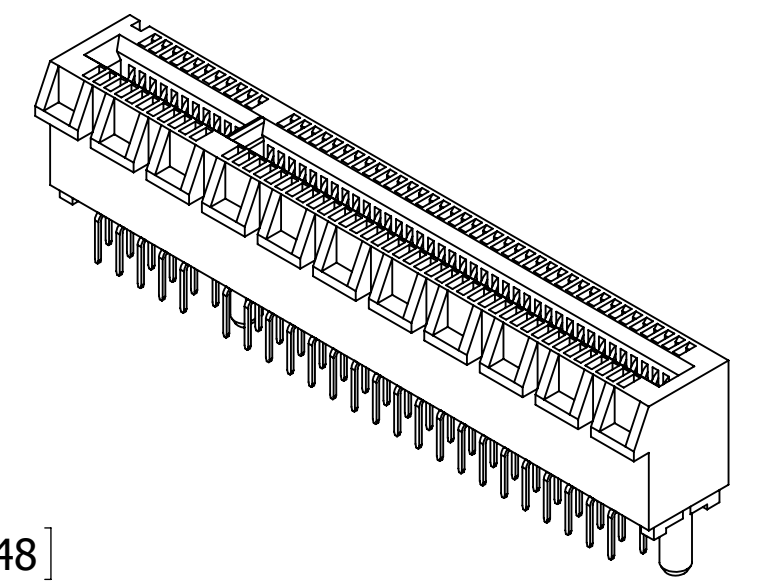
COLOR

1= BLACK

TAIL LENGTH

1= 2.30[.091] (FOR 1.57[.062] PCB)
2= 2.54[.100] (FOR 1.57[.062] PCB)
3= 3.10[.122] (FOR 2.36[.093] PCB)

REVISIONS				
REV.	ECO. NO	DESCRIPTION	DATE	BY
E	2536	UPDATE PROCESSING TEMPERATURE	03/02/2012	LH
F	2740	REPLACE NYLON 46 WITH NYLON 9T, UPDATED NOTES, CARD SLOT WIDE 1.80mm(WAS 1.77mm) & DIMENSION TABLE TOLERANCES	04/30/2013	LH



- NOTES:**
- INSULATOR MATERIAL: NYLON 9T, UL 94V-0.
 - CONTACT MATERIAL: PHOSPHOR BRONZE.
 - CONTACT PLATING: SEE PART NUMBER CODING.
 - CURRENT RATING: 1.1 AMP PER CONTACT.
 - VOLTAGE RATING 50 VAC.
 - INSULATOR RESISTANCE: 1000 MEGOHMS MIN.
 - CONTACT RESISTANCE: 30 MILLI OHMS MAX.
 - DIELECTRIC WITHSTANDING: 500 VAC.
 - INSERTION FORCE: 117.3gf (1.15 N) MAX PER CONTACT PAIR USING A 1.70 mm (.067") STEEL CARD.
 - WITHDRAWAL FORCE: 15.31gf (0.15 N) MIN PER CONTACT PAIR USING A 1.44 mm (.057") STEEL CARD.
 - OPERATING TEMPERATURE: -10° C TO +85° C.
 - PROCESSING TEMP: 260° C FOR 10 SEC. MAX.

PART NUMBER	POSITIONS/ CONTACTS	A ± 0.15 [.006]		B +0.20/-0.15 [+ .008/- .006]		C ± 0.30 [.012]		D ± 0.10 [.004]	
		MM	[INCH]	MM	[INCH]	MM	[INCH]	MM	[INCH]
E18DHHN-T9_1	18/36	6.00	0.236	7.65	0.301	25.00	0.984	9.15	0.360
E32DHHN-T9_1	32/64	20.00	0.787	21.65	0.852	39.00	1.535	23.15	0.911
E49DHHN-T9_1	49/98	37.00	1.457	38.65	1.522	56.00	2.205	40.15	1.581
E82DHHN-T9_1	82/164	70.00	2.756	71.65	2.821	89.00	3.504	73.15	2.880



UNLESS OTHERWISE SPECIFIED: DIMENSIONS ARE IN MM[INCHES]

TOLERANCES:
ANGULAR: ± 3°
DECIMALS
.X = ± 0.35 [.014]
.XX = ± 0.25 [.010]
.XXX = ± 0.08 [.0031]

DRAWN: 03/09/2009 NAME: JH

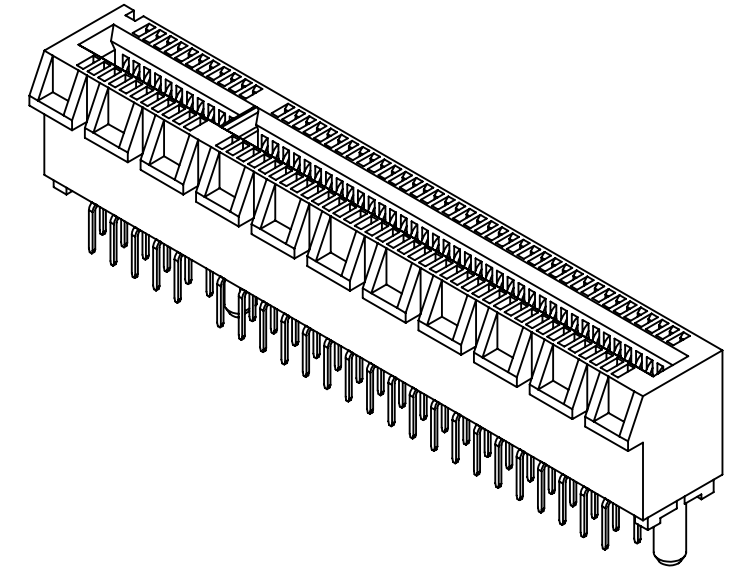
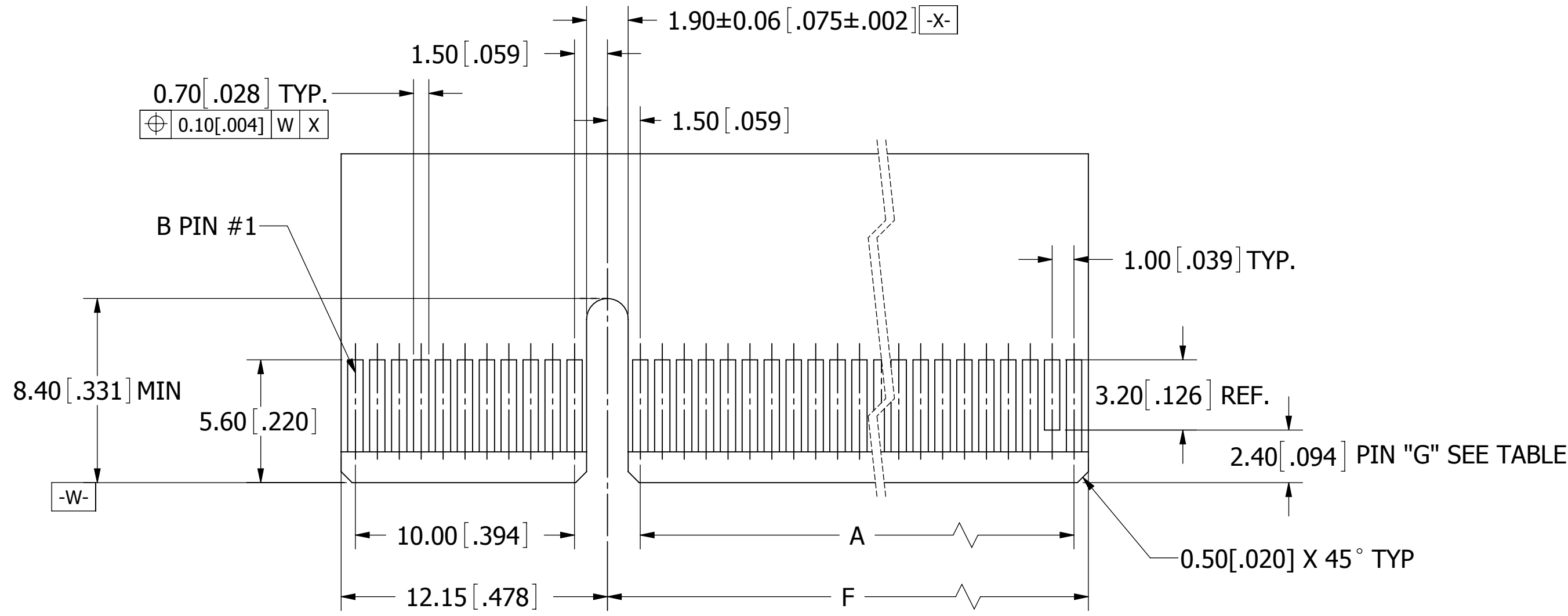
THE INFORMATION HEREIN CONTAINS PROPRIETARY INFORMATION OF SULLINS ELECTRONICS AND IS NOT TO BE REPRODUCED, USED OR DISCLOSED TO OTHERS FOR ANY PURPOSE EXCEPT AS SPECIFICALLY AUTHORIZED IN WRITING BY AN OFFICER OF SULLINS ELECTRONICS.

SULLINS
CONNECTOR SOLUTIONS

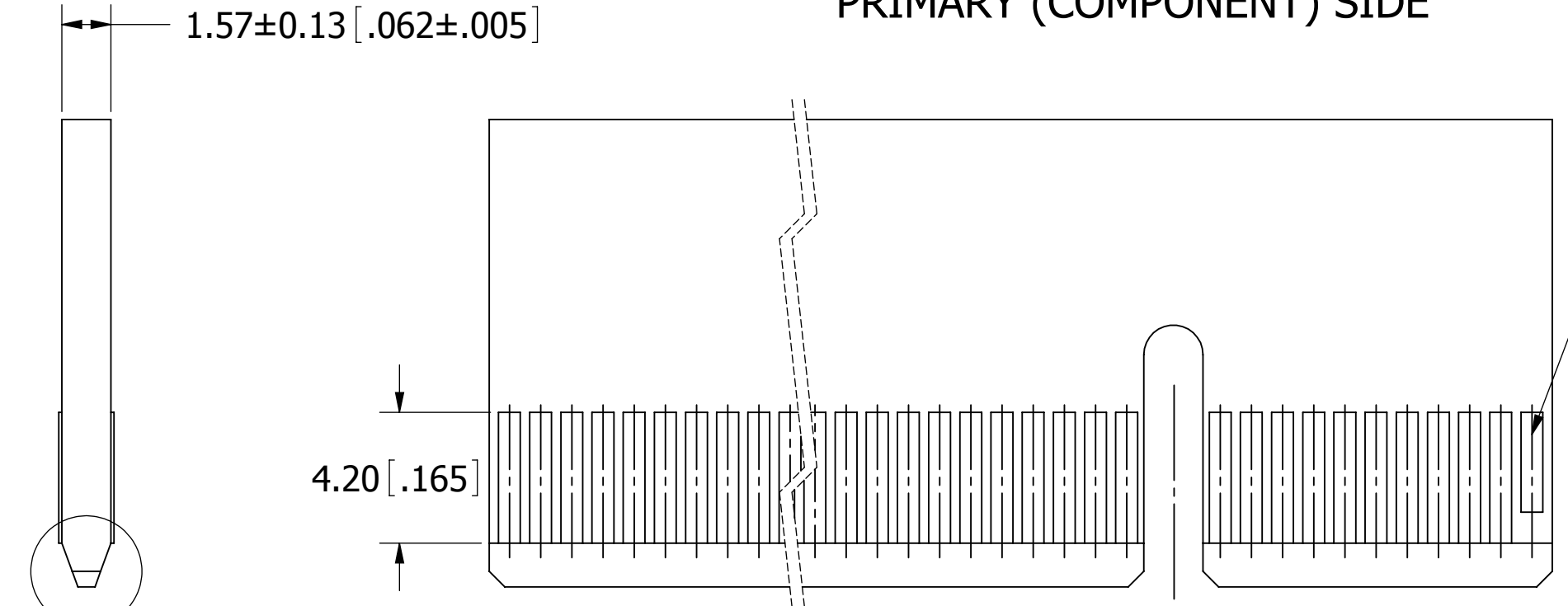
TITLE: PCI EXPRESS, 1mm CC, DIP SOLDER(GEN 1)
PART NUMBER: E DHHN-T9_1

SIZE: C CAGE CODE: 54453 DWG. NO.: 11045 REV: F

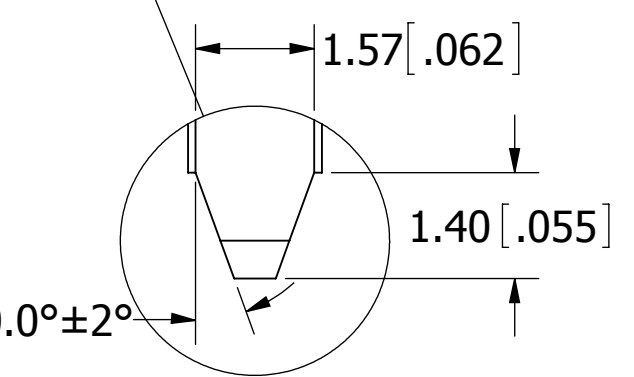
SCALE: 3.5:1 SHEET 1 OF 2



I/O PANEL DIRECTION
PRIMARY (COMPONENT) SIDE

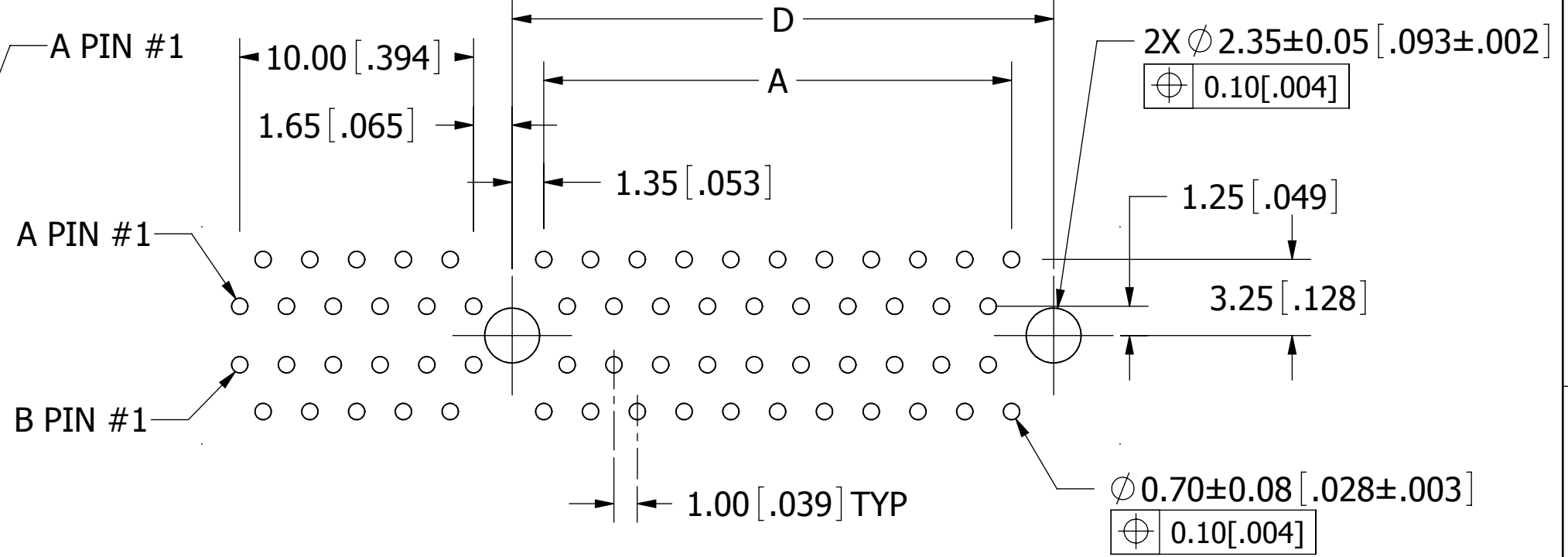


I/O PANEL DIRECTION
SECONDARY (SOLDER) SIDE



DETAIL A
SCALE 10 : 1

ADD-IN CARD EDGE-FINGER DIMENSIONS



**RECOMMENDED PCB LAYOUT
(TOLERANCE: ±0.05[.002])**

PART NUMBER	POSITIONS/ CONTACTS	A		D ± 0.10 [.004]		F ± 0.13 [.005]		PIN "G"
		MM	[INCH]	MM	[INCH]	MM	[INCH]	
E18DHHN-T9_1	18/36	6.00	0.236	9.15	0.360	8.15	0.321	B17
E32DHHN-T9_1	32/64	20.00	0.787	23.15	0.911	22.15	0.872	B31
E49DHHN-T9_1	49/98	37.00	1.457	40.15	1.581	39.15	1.541	B48
E82DHHN-T9_1	82/164	70.00	2.756	73.15	2.880	72.15	2.841	B81



UNLESS OTHERWISE SPECIFIED: DIMENSIONS ARE IN MM[INCHES]	DRAWN	DATE	NAME	
		03/09/2009	JH	
TOLERANCES: ANGULAR: ± 3° DECIMALS .X = ± 0.35 [.014] .XX = ± 0.25 [.010] .XXX = ± 0.08 [.0031]	THE INFORMATION HEREIN CONTAINS PROPRIETARY INFORMATION OF SULLINS ELECTRONICS AND IS NOT TO BE REPRODUCED, USED OR DISCLOSED TO OTHERS FOR ANY PURPOSE EXCEPT AS SPECIFICALLY AUTHORIZED IN WRITING BY AN OFFICER OF SULLINS ELECTRONICS.			TITLE PCI EXPRESS, 1mm CC, DIP SOLDER(GEN 1) PART NUMBER E_DHHN-T9_1
	SIZE C	CAGE CODE 54453	DWG. NO. 11045	REV F
	SCALE: 2:1			SHEET 2 OF 2