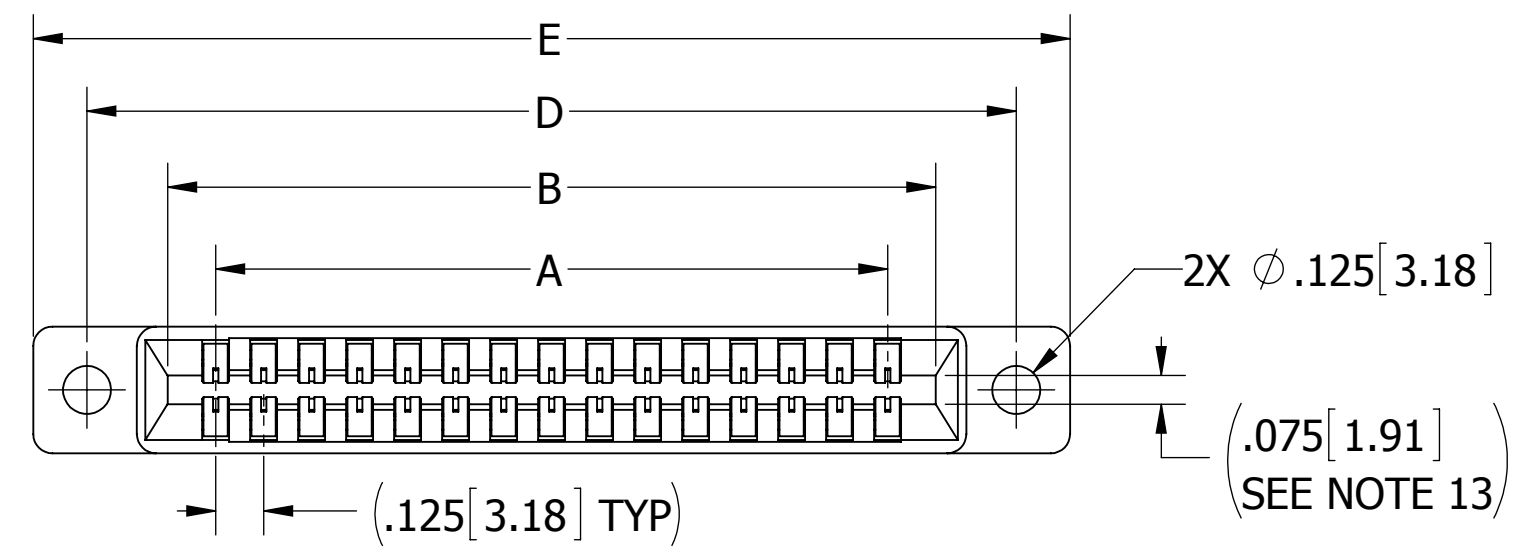
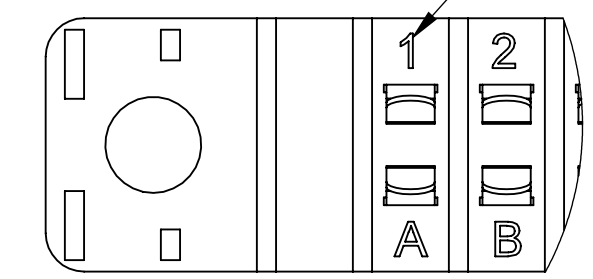


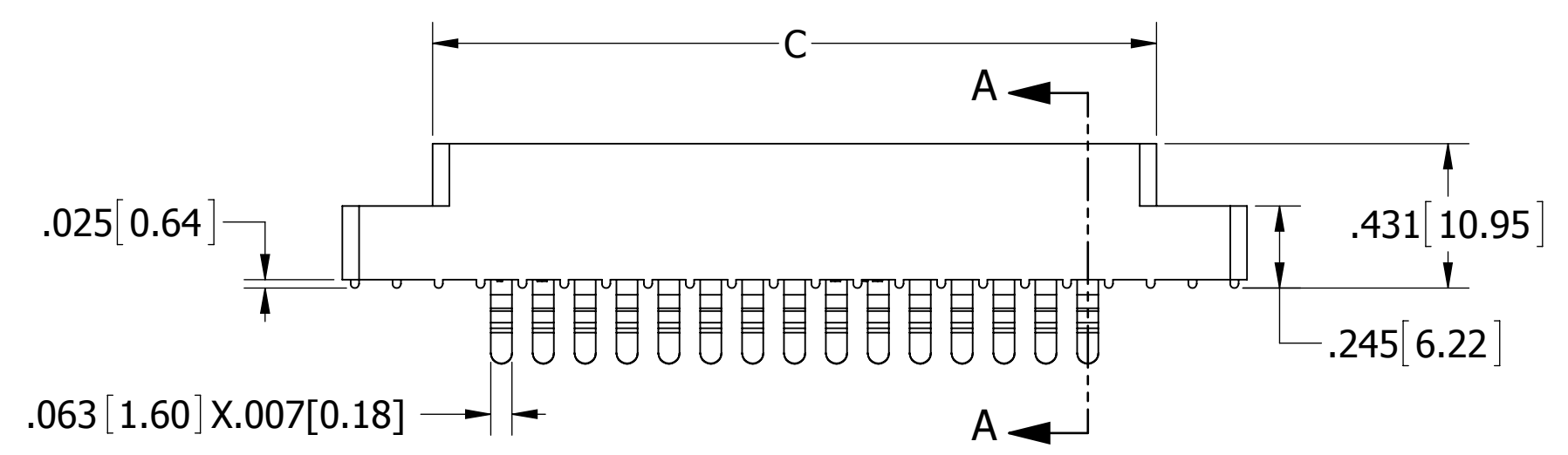
REVISIONS				
REV.	ECO. NO	DESCRIPTION	DATE	BY
A	2796	INITIAL RELEASE	7/1/2013	JH



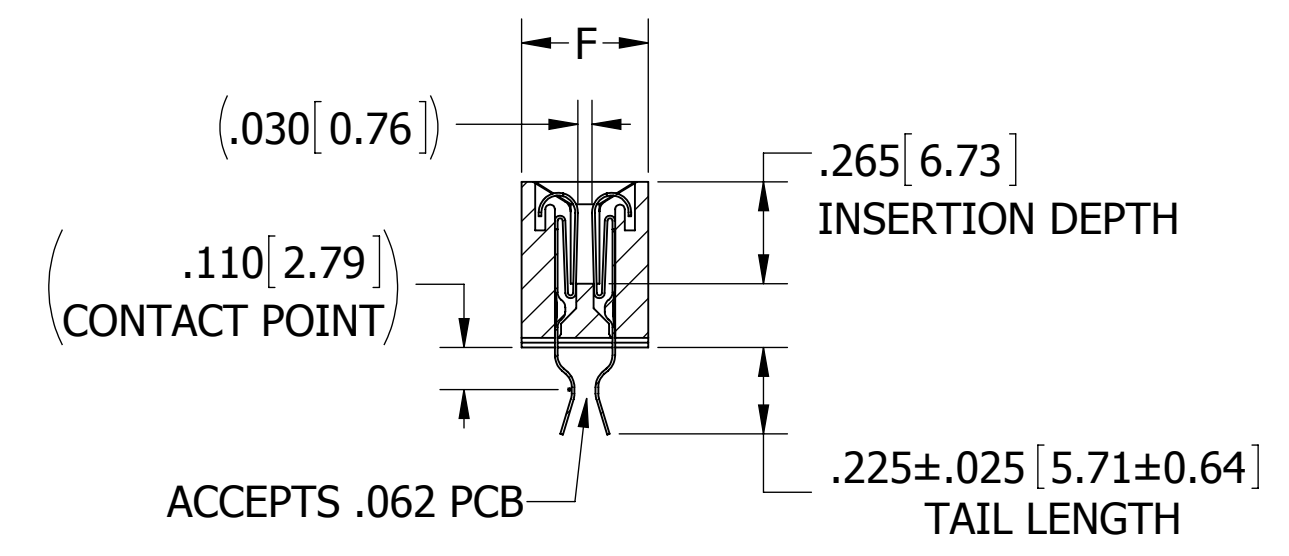
CONTACT IDs:
 (LETTERS G, I, O & Q NOT USED)
 SIZE 06 THRU 50, EXCEPT 35 & 36
 1 2 ... 23 24 ... 45 46 ...
 A B ... a b ... AA BB ...



DETAIL CONTACT
 SCALE 4 : 1



MP _ _ - _ 125 - _ _ - DSE - 1 _ _ _



SECTION A-A

NOTES:

- INSULATOR MATERIAL: SEE PART NUMBER CODING
- CONTACT MATERIAL: SEE PART NUMBER CODING
- PLATING: SEE PART NUMBER CODING
- OPERATING TEMPERATURE: SEE PART NUMBER CODING
- PROCESSING TEMP: SEE PART NUMBER CODING
- UL FLAMMABILITY RATING: 94V-0
- OPERATING VOLTAGE: 750 VAC MINIMUM AT SEA LEVEL
- CURRENT RATING: 3 AMP
- CONTACT RESISTANCE: 30 MILLI OHMS MAX
- INSULATION RESISTANCE: 5000 MEGA OHMS
- DURABILITY: 500 CYCLES MIN
- CONNECTOR IDENTIFICATION: THE PART SHALL BE MARKED WITH A PART NUMBER AND LOT CODE
- BOARD THICKNESS ACCOMMODATED: $.062 \pm .008$ [1.57 ± 0.20]
- INSERTION FORCE: 16 OZ MAX PER CONTACT PAIR WHEN USING A $.062$ [1.57] TEST BLADE
INTERNAL INSPECTION TO BE PER SULLIN'S WORK INSTRUCTION WI7.3-01
- WITHDRAWAL FORCE: 1 OZ MIN PER CONTACT PAIR USING $.062$ [1.57] PCB
- MODIFICATION: CARD EXTENDER BEND FOR LOW PROFILE CONNECTOR, $.055$ " INSIDE DIMENSION FOR $.062$ " PCB

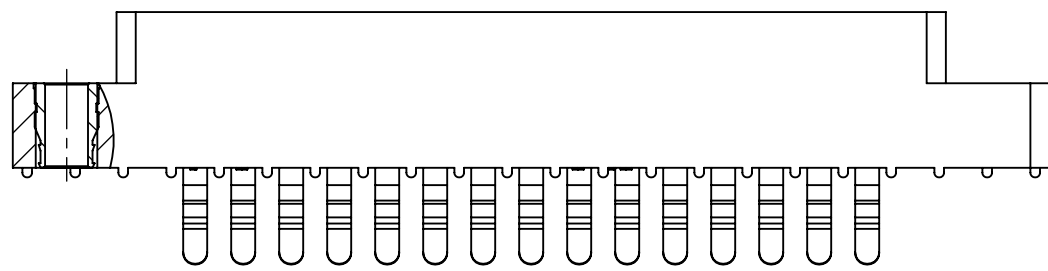
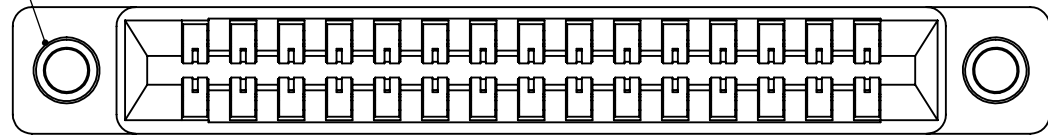
REFERENCE: _ _ A _ DRV _-P13, P39, P71

CUSTOMER COPY

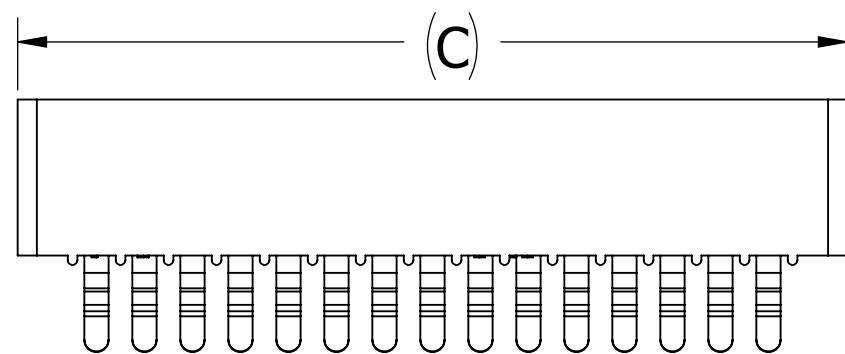
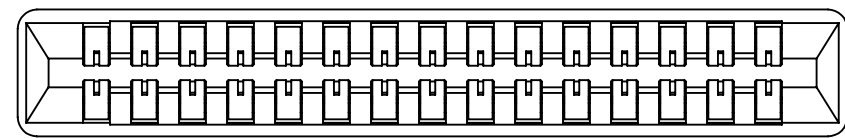


UNLESS OTHERWISE SPECIFIED: DIMENSIONS ARE IN INCHES [MM]		DRAWN	DATE	NAME	
TOLERANCES: ANGULAR: $\pm 1^\circ$ DECIMALS .XX = $\pm .02$ [.5] .XXX = $\pm .005$ [.13] .XXXX = $\pm .0005$ [.013]			6/24/2011	JH	
<small>THE INFORMATION HEREIN CONTAINS PROPRIETARY INFORMATION OF SULLINS ELECTRONICS AND IS NOT TO BE REPRODUCED, USED OR DISCLOSED TO OTHERS FOR ANY PURPOSE EXCEPT AS SPECIFICALLY AUTHORIZED IN WRITING BY AN OFFICER OF SULLINS ELECTRONICS.</small>					PART NUMBER MP _ _ -125- _ _ -DSE- _ _ _ _
SIZE	CAGE CODE	DWG. NO.	REV		
C	54453	C12239	A		
SCALE: 2:1		SHEET 1 OF 3			

2X #4-40
THREADED
INSERT

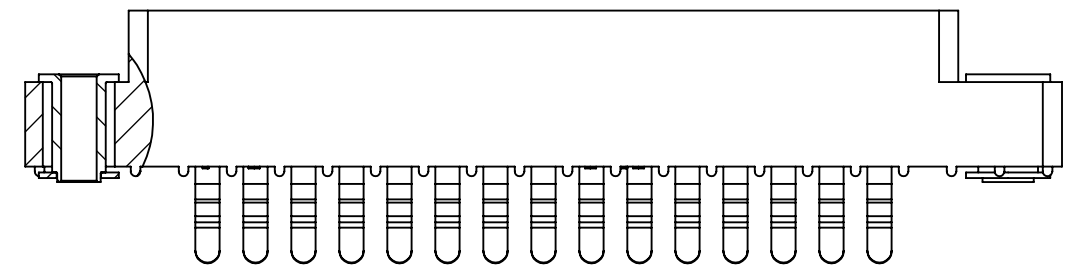
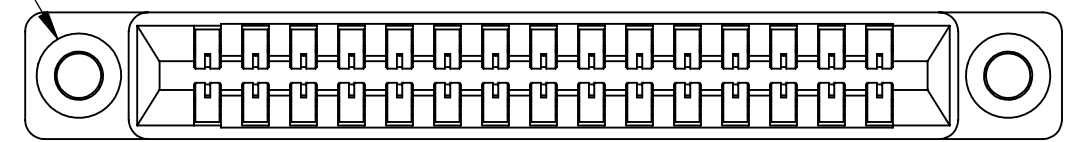


MP__ - _125 - __ - DSE - 2__

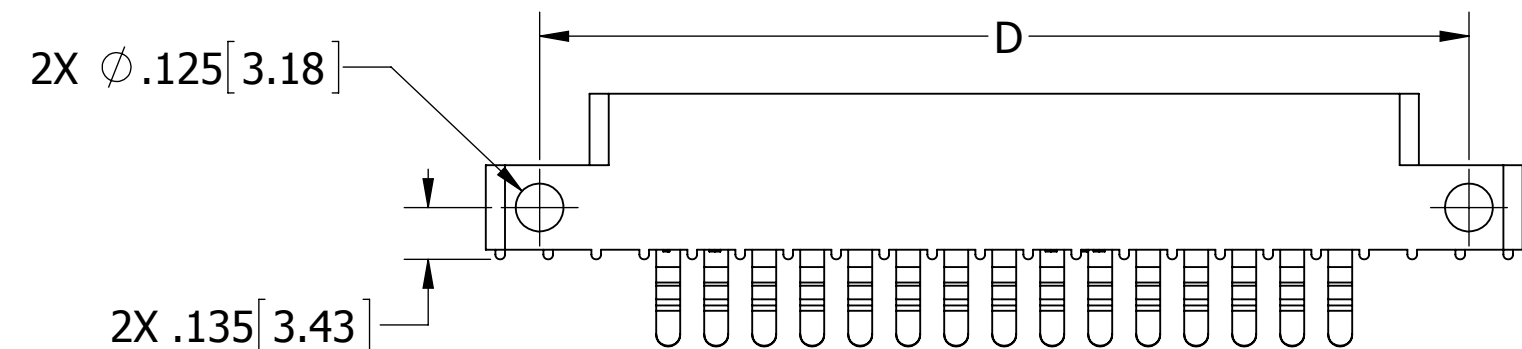
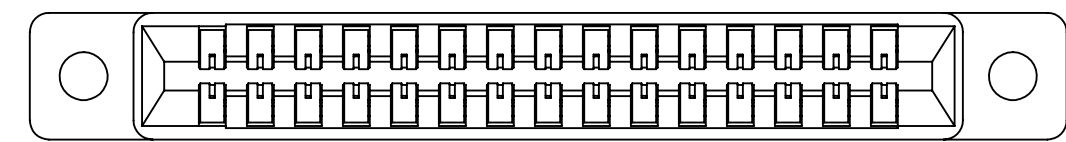


MP__ - _125 - __ - DSE - 4__

2X FLOATING ROBBIN
.116[2.95] CLEARANCE
FOR #4 SCREW

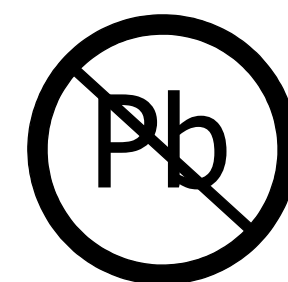


MP__ - _125 - __ - DSE - 3__



MP__ - _125 - __ - DSE - 8__

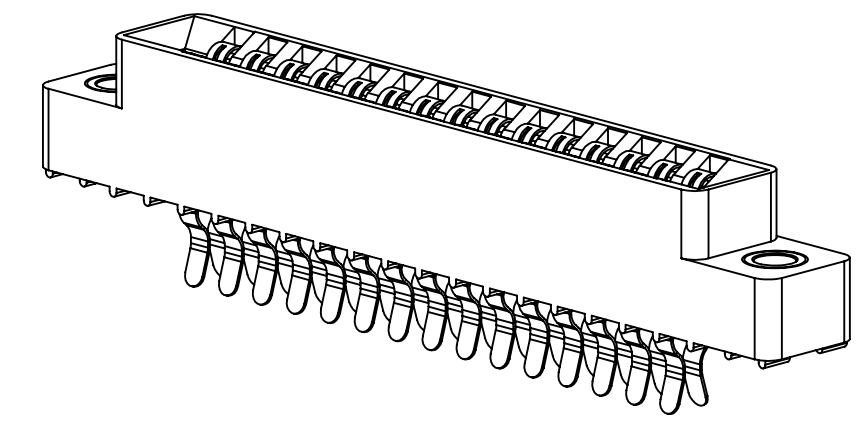
CUSTOMER COPY



RoHS COMPLIANT

UNLESS OTHERWISE SPECIFIED: DIMENSIONS ARE IN INCHES [MM]		DRAWN	DATE	NAME		
			6/24/2011	JH		
TOLERANCES: ANGULAR: ± 1° DECIMALS .XX=± .02 [.5] .XXX=± .005 [.13] .XXXX=± .0005 [.013]		THE INFORMATION HEREIN CONTAINS PROPRIETARY INFORMATION OF SULLINS ELECTRONICS AND IS NOT TO BE REPRODUCED, USED OR DISCLOSED TO OTHERS FOR ANY PURPOSE EXCEPT AS SPECIFICALLY AUTHORIZED IN WRITING BY AN OFFICER OF SULLINS ELECTRONICS.			TITLE	CARD EDGE, .125 CC LP
					PART NUMBER	MP__ -125- __ -DSE-__
SIZE	CAGE CODE	DWG. NO.		REV		
C	54453	C12239		A		
SCALE: 2:1		SHEET 2 OF 3				

PART NUMBER MICRO PLASTICS	NO. OF POS.	A±.008[0.20]		B±.008[0.20]		C±.015[0.38]		D±.010[0.25]		E±.020[0.51]		F+.005[0.13] / -.015[0.38]	
		IN	MM	IN	MM	IN	MM	IN	MM	IN	MM	IN	MM
MP - 125-06-DSE-	6	0.625	15.88	0.875	22.23	1.035	26.29	1.295	32.89	1.575	40.01	0.330	8.38
MP - 125-10-DSE-	10	1.125	28.58	1.375	34.93	1.535	38.99	1.795	45.59	2.075	52.71		
MP - 125-14-DSE-	14	1.625	41.28	1.875	47.63	2.035	51.69	2.295	58.29	2.575	65.41		
MP - 125-15-DSE-	15	1.750	44.45	2.000	50.80	2.160	54.86	2.420	61.47	2.700	68.58		
MP - 125-18-DSE-	18	2.125	53.98	2.375	60.33	2.535	64.39	2.795	70.99	3.075	78.11		
MP - 125-22-DSE-	22	2.625	66.68	2.875	73.03	3.035	77.09	3.295	83.69	3.575	90.81		
MP - 125-28-DSE-	28	3.375	85.73	3.625	92.08	3.785	96.14	4.045	102.74	4.325	109.86		
MP - 125-30-DSE-	30	3.625	92.08	3.875	98.43	4.035	102.49	4.295	109.09	4.575	116.21		
MP - 125-31-DSE-	31	3.750	95.25	4.000	101.60	4.160	105.66	4.420	112.27	4.700	119.38		
MP - 125-35-DSE-	35	4.250	107.95	4.500	114.30	4.660	118.36	4.920	124.97	5.200	132.08		
MP - 125-36-DSE-	36	4.375	111.13	4.625	117.48	4.785	121.54	5.045	128.14	5.325	135.26		
MP - 125-37-DSE-	37	4.500	114.30	4.750	120.65	4.910	124.71	5.170	131.32	5.450	138.43		
MP - 125-40-DSE-	40	4.875	123.83	5.125	130.18	5.285	134.24	5.545	140.84	5.825	147.96		
MP - 125-43-DSE-	43	5.250	133.35	5.500	139.70	5.660	143.76	5.920	150.37	6.200	157.48		
MP - 125-44-DSE-	44	5.375	136.53	5.625	142.88	5.785	146.94	6.045	153.54	6.325	160.66		
MP - 125-49-DSE-	49	6.000	152.40	6.250	158.75	6.410	162.81	6.670	169.42	6.950	176.53		
MP - 125-50-DSE-	50	6.125	155.58	6.375	161.93	6.535	165.99	6.795	172.59	7.075	179.71		
												0.370	9.40



PART NUMBER CODING

MP - 125 - DSE -

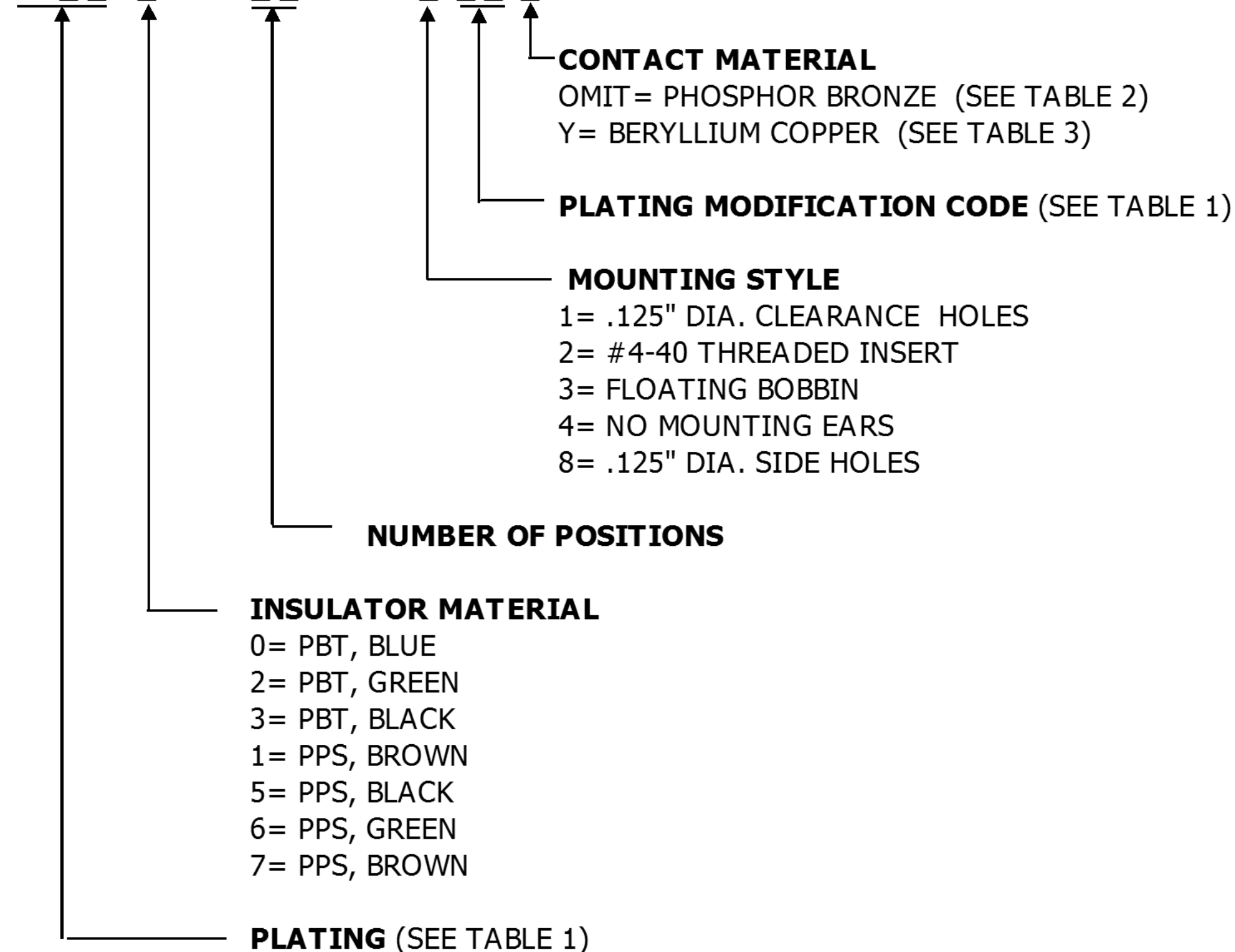


TABLE 1 (PLATING):

ALL PLATINGS HAVE .000050" MIN NICKEL UNDERPLATE

	CONTACT SURFACE	TERMINATION	PLATING MODIFICATION CODE
MP	.000010" GOLD OVERALL		OMIT
	.000030" GOLD	.000010" GOLD OVERALL	G
MPSL	.000010" GOLD	.000100" PURE TIN, MATTE	K
	.000030" GOLD	.000100" PURE TIN, MATTE	GK
MPL	.000100" PURE TIN, MATTE OVERALL		K

(MPL PLATING AVAILABLE WITH PHOSPHOR BRONZE CONTACTS ONLY)

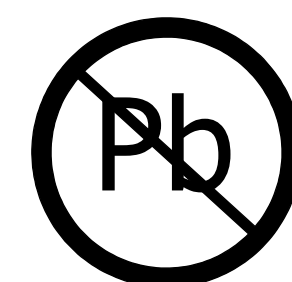
TABLE 2 (PHOSPHOR BRONZE CONTACTS):

INSULATOR MATERIAL CODE	OPERATING TEMPERATURE	PROCESSING TEMPERATURE
0, 2, 3	-65°C TO +125°C	MANUAL SOLDERING
1, 5, 6, 7	-65°C TO +125°C	260°C FOR 120 SEC MAX

TABLE 3 (BERYLLIUM COPPER CONTACTS):

INSULATOR MATERIAL CODE	OPERATING TEMPERATURE	PROCESSING TEMPERATURE
0, 2, 3	-65°C TO +125°C	MANUAL SOLDERING
1, 5, 6, 7	-65°C TO +150°C	260°C FOR 120 SEC MAX

CUSTOMER COPY



RoHS COMPLIANT

UNLESS OTHERWISE SPECIFIED: DIMENSIONS ARE IN INCHES [MM]		DRAWN	DATE	NAME	
			6/24/2011	JH	
TOLERANCES: ANGULAR: ± 1° DECIMALS .XX= ± .02 [.5] .XXX= ± .005 [.13] .XXXX= ± .0005 [.013]					TITLE CARD EDGE, .125 CC LP
THE INFORMATION HEREIN CONTAINS PROPRIETARY INFORMATION OF SULLINS ELECTRONICS AND IS NOT TO BE REPRODUCED, USED OR DISCLOSED TO OTHERS FOR ANY PURPOSE EXCEPT AS SPECIFICALLY AUTHORIZED IN WRITING BY AN OFFICER OF SULLINS ELECTRONICS.					PART NUMBER MP -125- -DSE-
SIZE	CAGE CODE	DWG. NO.	REV		
C	54453	C12239	A		
SCALE: 2:1		SHEET 3 OF 3			