

PART NUMBER CODING

SBH11- BPC-D -RA-

INSULATOR MATERIAL

N = NYLON 6T
 PROCESSING TEMP.: 230°C FOR 60 SECONDS MAX
 (260°C FOR 10 SECONDS MAX)
 P = PBT
 PROCESSING TEMP.: WAVE/MANUAL SOLDERING

NUMBER OF POSITIONS

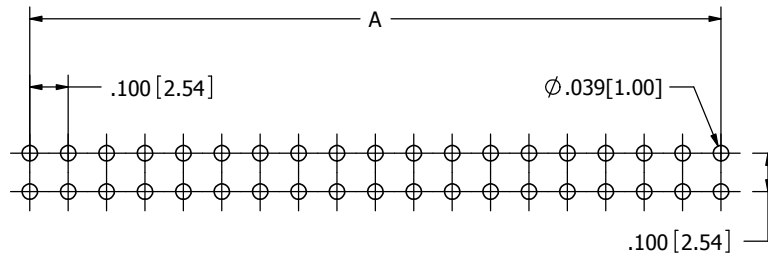
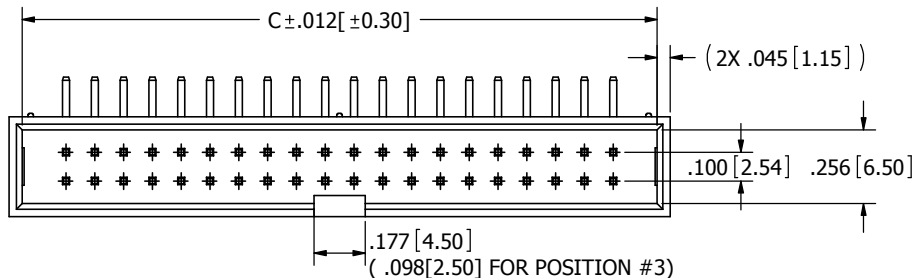
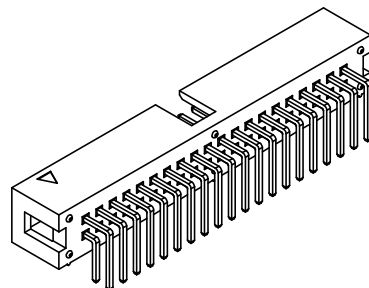
(CONTACTS PER ROW)

COLOR

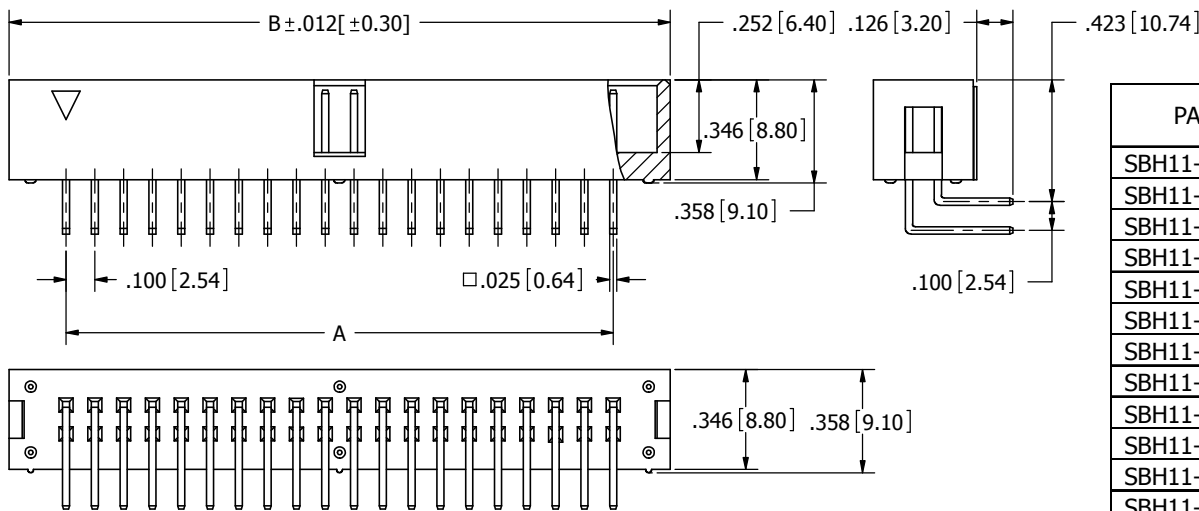
BK= BLACK
 YE= YELLOW
 RE= RED
 BL= BLUE
 GR= GREEN
 GY= GREY
 WH= WHITE
 OR= ORANGE

TERMINATION

RIGHT ANGLE



RECOMMENDED PCB LAYOUT



PART NUMBER	POSITIONS/ CONTACTS	A		B		C	
		INCH	MM	INCH	MM	INCH	MM
SBH11- BPC-D03-RA-__	03/06	0.200	5.08	0.595	15.12	0.505	12.82
SBH11- BPC-D04-RA-__	04/08	0.300	7.62	0.695	17.66	0.605	15.36
SBH11- BPC-D05-RA-__	05/10	0.400	10.16	0.795	20.20	0.705	17.90
SBH11- BPC-D06-RA-__	06/12	0.500	12.70	0.895	22.74	0.805	20.44
SBH11- BPC-D07-RA-__	07/14	0.600	15.24	0.995	25.28	0.905	22.98
SBH11- BPC-D08-RA-__	08/16	0.700	17.78	1.095	27.82	1.005	25.52
SBH11- BPC-D10-RA-__	10/20	0.900	22.86	1.295	32.90	1.205	30.60
SBH11- BPC-D12-RA-__	12/24	1.100	27.94	1.495	37.98	1.405	35.68
SBH11- BPC-D13-RA-__	13/26	1.200	30.48	1.595	40.52	1.505	38.22
SBH11- BPC-D15-RA-__	15/30	1.400	35.56	1.795	45.60	1.705	43.30
SBH11- BPC-D17-RA-__	17/34	1.600	40.64	1.995	50.68	1.905	48.38
SBH11- BPC-D20-RA-__	20/40	1.900	48.26	2.295	58.30	2.205	56.00
SBH11- BPC-D22-RA-__	22/44	2.100	53.34	2.495	63.38	2.405	61.08
SBH11- BPC-D25-RA-__	25/50	2.400	60.96	2.795	71.00	2.705	68.70
SBH11- BPC-D30-RA-__	30/60	2.900	73.66	3.295	83.70	3.205	81.40
SBH11- BPC-D32-RA-__	32/64	3.100	78.74	3.495	88.78	3.405	86.48

NOTES:

- INSULATOR MATERIAL: SEE PART NUMBER CODING.
- COLOR: SEE PART NUMBER CODING.
- CONTACT MATERIAL: BRASS.
- CONTACT PLATING: .000030"~.000050" NICKEL UNDERPLATE, GOLD FLASH OVERALL.
- OPERATING TEMPERATURE: SEE PART NUMBER CODING.
- PROCESSING TEMP.: SEE PART NUMBER CODING.
- CONTACT RESISTANCE: 20 MILLIOHMS MAX.
- CURRENT RATING: 3 AMPS PER CONTACT.
- DIELECTRIC WITHSTANDING: 500 V AC.
- INSULATOR RESISTANCE: 1000 MEGOHMS MIN.
- MATES WITH SFH11, SFH210 & SFH213 SERIES.

REVISIONS				
REV.	ECO. NO	DESCRIPTION	DATE	BY
A	1682	INITIAL RELEASE	05/08/2008	VJ
B	1852	UPDATE DIM "C", TABLE, NOTE 3 & TOLERANCE BLOCK	11/12/2008	JH
C	2103	ADD BOX INSIDE DEPTH 6.40mm, NOTE 10, MATED COMPONENTS & HEIGHT ON SHEET 2	04/09/2010	LH
D	2537	UPDATE NOTE 5 PROCESSING TEMPERATURE	02/29/2012	LH
E	2912	ADD MATERIAL 'N' OPTION	1/30/2014	JHSU

PRELIMINARY



RoHS COMPLIANT

UNLESS OTHERWISE SPECIFIED:
 DIMENSIONS ARE IN INCHES (MM)

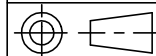
TOLERANCES:

ANGULAR:

DECIMALS
 .XX=±.012 [3]
 .XXX=±.008 [20]
 .XXXX=±.0040 [100]

DRAWN	DATE	NAME
	05/08/2008	VJ

THE INFORMATION HEREIN CONTAINS PROPRIETARY INFORMATION OF SULLINS ELECTRONICS AND IS NOT TO BE REPRODUCED, USED OR DISCLOSED TO OTHERS FOR ANY PURPOSE EXCEPT AS SPECIFICALLY AUTHORIZED IN WRITING BY AN OFFICER OF SULLINS ELECTRONICS.

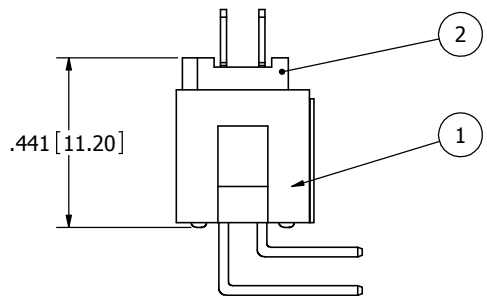


TITLE
 BOX HEADER, .100[2.54] CC/RS, RA

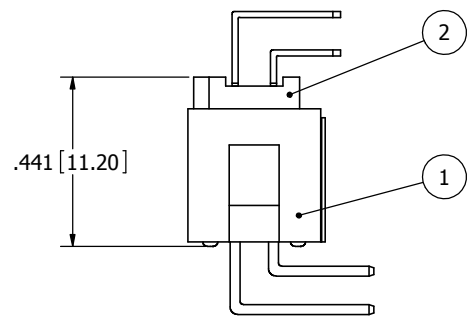
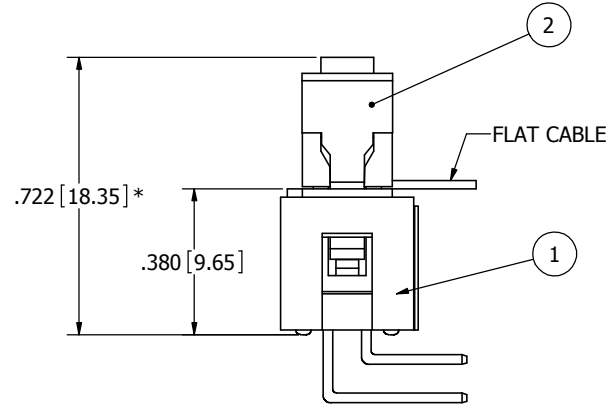
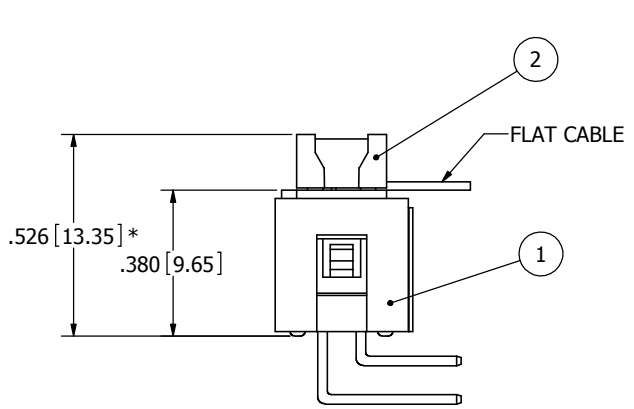
PART NUMBER
 SBH11- BPC-D -RA-

SIZE	CAGE CODE	DWG. NO.	REV
C	54453	11092	E

SCALE: 4:1 SHEET 1 OF 2



ITEM 1	SBH11- BPC-D -RA-__
ITEM 2 (MATES)	SFH11-P _C-D -ST-__ (with polarizing key) SFH11-P _C-D -ST-__-M181 (without polarizing key)



ITEM 1	SBH11- BPC-D -RA-__
ITEM 2 (MATES)	SFH11-P _C-D -RA-__ (with polarizing key) SFH11-P _C-D -RA-__-M181 (without polarizing key)

ITEM 1	SBH11- BPC-D -RA-__
ITEM 2** (MATES)	SFH210-PP_C-D -ID-BK (with polarizing key & without strain relief) SFH210-PP_C-D -ID-BK-M181 (without polarizing key & strain relief)
** COMPONENTS FOR POSITION # 3-25 AS SHOWN	
* APPROXIMATE FOR ALL AVAILABLE POSITION NUMBERS	

ITEM 1	SBH11- BPC-D -RA-__
ITEM 2** (MATES)	SFH213-PP_C-D -ID-BK (with polarizing key & strain relief) SFH213-PP_C-D -ID-BK-M181 (without polarizing key & with strain relief)
** COMPONENTS FOR POSITION # 3-25 AS SHOWN	
* APPROXIMATE FOR ALL AVAILABLE POSITION NUMBERS	



RoHS COMPLIANT

UNLESS OTHERWISE SPECIFIED: DIMENSIONS ARE IN INCHES (MM)		DRAWN	DATE	NAME	
TOLERANCES:			05/08/2008	VJ	
ANGULAR:		<small>THE INFORMATION HEREIN CONTAINS PROPRIETARY INFORMATION OF SULLINS ELECTRONICS AND IS NOT TO BE REPRODUCED, USED OR DISCLOSED TO OTHERS FOR ANY PURPOSE EXCEPT AS SPECIFICALLY AUTHORIZED IN WRITING BY AN OFFICER OF SULLINS ELECTRONICS.</small>			TITLE
DECIMALS: .XX=± .012 [3] .XXX=± .008 [20] .XXXX=± .0040 [100]					PART NUMBER
		SIZE	CAGE CODE	DWG. NO.	REV
		C	54453	11092	E
		SCALE: 4:1		SHEET 2 OF 2	